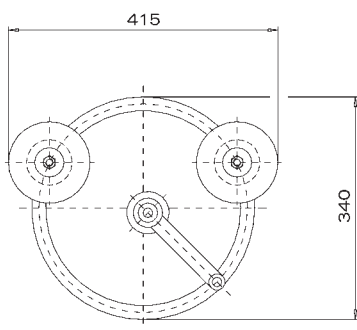
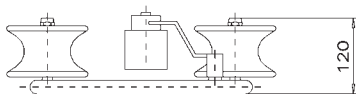


Grounding device designed for ropes and conductors during stringing operations.

It is equipped with a copper grounding wire (50 mm² section, 6 m long) for connection to the ground

Certified Quality System
ISO 9001:2000



Mod. MTR 001

CHARACTERISTICS

Mass	6 kg
------	------

MTF

Mod. MTF 015 for high tension line (130/220 kV)

The device consists of:

- 3 light aluminium alloy screw pliers for clamping conductors with diameter of 5 ÷ 30 mm
- 3 lengths of flexible copper rope, insulated with transparent thermoplastic material, section 1x50 mm², total length of 6 m each
- 3 ground clamps
- 1 high insulating fibre glass stick, total length 3 m

Mod. MTF 016 for extra high tensions line (400/500 kV)

The device consists of:

- 3 light aluminium alloy screw pliers for clamping conductors with diameter of 5 ÷ 60 mm
- 3 lengths of flexible copper rope, insulated with transparent thermoplastic material, section 1x50 mm², total length of 6 m each
- 3 ground clamps
- 1 high insulating fibre glass stick, total length 4,5 m

